


	SPEC. No.	OMS-GW790262/ OMS-GW790263	Revised. Date	2019.11.06
	SPEC. Name	Product Specification	Revised. No.	2.3
			PAGES	Page 1 of 16


**Model Name: OLMR-K5550  
OLMR-K5570**

ISSU. DEPT	PREPARED BY	REVIEWED BY	APPROVED BY
R&D Center	Mun-Su Choi		Han-Joo, Bae
			
	2019. 11. 06		2019. 11. 06

	SPEC. No.	OMS-GW790262/ OMS-GW790263	Revised. Date	2019.11.06
	SPEC. Name	<b>Product Specification</b>	Revised. No.	2.3
			PAGES	Page 2 of 16

© Revisions History

Revision No.	Revised Date	Page	Revised Description
1.0	2019. 02. 27	All	ESTABLISHMENT
2.0	2019. 06. 10	5,11,14,15	POWER CONSUMPTION CHANGE, MECHANICAL DESIGN CHANGE, PACKING CHANGE
2.1	2019. 08. 28	5	ADD RESPONSE TIME
2.2	2019. 10. 16	5	ADD VIEWING ANGLE
2.3	2019. 11. 06	14	ADD BELARUS ENERGY LABEL

	SPEC. No.	OMS-GW790262/ OMS-GW790263	Revised. Date	2019.11.06
	SPEC.Name	Product Specification	Revised. No.	2.3
			PAGES	Page 3 of 16

## CONTENTS

1. Application .....	4
2. Summary .....	4
3. Environmental Conditions .....	4
4. General Information .....	5
5. Specifications .....	7
5-1. Terminal Specifications .....	7
5-2. Terminal Description .....	7
5-3. Supported resolutions .....	8
5-4. Remote control .....	9
6. Accessory .....	10
6-1. Accessory .....	10
6-2. Optional Accessory .....	10
7. Product Drawing & Dimension .....	11
7-1. OLMR-K5550/OLMR-5570 Drawing. ....	11
8. Label .....	12
8-1. Box Label .....	12
8-2. Serial Label .....	12
8-3 Product Label .....	13
8-4 Belarus Energy Labe .....	14
9. Packing .....	15
9-1. Set Packing .....	15
9-2. Pallet Packing .....	16

	SPEC. No.	OMS-GW790262/ OMS-GW790263	Revised. Date	2019.11.06
	SPEC. Name	<b>Product Specification</b>	Revised. No.	2.3
			PAGES	Page 4 of 16

## 1. Application

This specification applies to Multi-LCD Sets OLMR-K5550/OLMR-K5570 with 55" Razor Narrow Bezel LCD PANEL.

## 2. Summary


OLMR-K5550/OLMR-K5570 are an infinitely expandable Razor Narrow Bezel LCD Monitors. They can support various input sources such as Display Port, HDMI, DVI. They also support 4K (2160P@60Hz) resolution. They can support multiple control methods such as RS-232C, LAN and Remote Controller.

- ✓ Razor Narrow splicing bezel
- ✓ No delay and motion trail of graphics, natural and smooth display.
- ✓ Support up to 15x15 splicing units
- ✓ The screen has a 24/7 non-stop operating time
- ✓ Video Wall Processor built in
- ✓ Remote Display Management
- ✓ Landscape and Portrait, all metal chassis
- ✓ HDMI In, DP In, DP In/ Out
- ✓ RS-232C In/Out, Network port (RJ-45) for PC / sever control
- ✓ PIP / PBP / QUAD Displays
- ✓ Auto power recovery, auto pixel shift, standard VESA mounting hole patterns

## 3. Environmental Conditions


Item	Operating Condition		Storage Condition	
	Maximum	Recommend	Maximum	Recommend
Temperature	0 ~ 50 °C	5 ~ 35 °C	-20 ~ 60 °C	0 ~ 40 °C
Humidity	10 ~ 90 %RH	35 ~ 75 %RH	0 ~ 90 %RH	10 ~ 90 %RH

\*If the condition exceeds maximum ratings, it can cause malfunction or unrecoverable damage to the device

	SPEC. No.	OMS-GW790262/ OMS-GW790263	Revised. Date	2019.11.06
	SPEC. Name	Product Specification	Revised. No.	2.3
			PAGES	Page 5 of 16

#### 4. General Information

PRODUCT NAME		55" RNB MLCD	
MODEL NAME		OLMR-K5550	OLMR-K5570
PANEL TYPE		IPS	
LCD PANEL	Diagonal Screen Size	55 inch	
	Active Display Area	1209.63 x 680.34 mm	
	Number of Pixel	1920x1080 (16:9)	
	Luminance of White (cd/m <sup>2</sup> )	500	700
	Contrast ratio (Typ.)	1,100 : 1	
	Backlight Type	Direct LED	
	Response Time (G to G)	Typ. : 8 ms, Max. : 12 ms	
	Viewing Angle	Viewing angle free (R/L 178° (Min), U/D 178° (Min))	
	Display Colors	1.07 Billion (10bit)	
	Surface Treatment	Hard coating (2H), Anti-Glare (Haze 28%)	
	Life time (Hrs, Min.)	50,000	
TERMINAL	Video	Input: x 1 DP, x 1 HDMI, x 1 DVI, Output: x1 DP	
	Control	Input: x1 RS-232, x1 LAN, x1 EXT-IR, x1 A/S Output: x1 RS-232	
DAISY CHAIN	Loop out Port	DP (Display Port)	
	Source	DP, HDMI, DVI	
INPUT SIGNAL	Support Resolution	480p, 576p, 720p, 1080p, UHD (only HDMI, DP)	
	Frequency	31 ~ 140 KHz (Hor), 29 ~ 76 Hz (Ver)	
	HDCP	Ready	
FEATURES	Temperature Sensor	Yes	
	De-Interlace	Yes	
	Noise Reduction	Yes	
	Splicing up to 15x15	Yes	
	Auto Fan Control System	Yes	
	Auto Pixel Shift	Yes	
	Auto Source Switching	Yes	
	Auto Sleep and Wake up	Yes	
	Auto Power Recovery	Yes	
	Color Temperature Adjust	Yes	
	Multi Language	English, Spanish, French, German...	
POWER SUPPLY		AC100V ~ 240V±10% (50/60Hz)	
POWER CONSUMPTION	Stand-by (Watt)	≤ 0.5	
	Typical (Watt)	230	230
	Maximum (Watt)	275	275
SEAM GAP (Typ. mm)		0.88 (Active to Active)	
DIMENSION (W x H x D mm)		1210.51 x 681.22 x 88.6	
MOUNTING (H x V. mm)		600 x 400	

	SPEC. No.	OMS-GW790262/ OMS-GW790263	Revised. Date	2019.11.06
	SPEC. Name	Product Specification	Revised. No.	2.3
			PAGES	Page 6 of 16


WEIGHT (kg)	24
INSTALLATION ORIENTATION	Portrait / Landscape
OPERATION HOUR	24 / 7

\* Product design and specification can be changed for quality improvement without prior notice

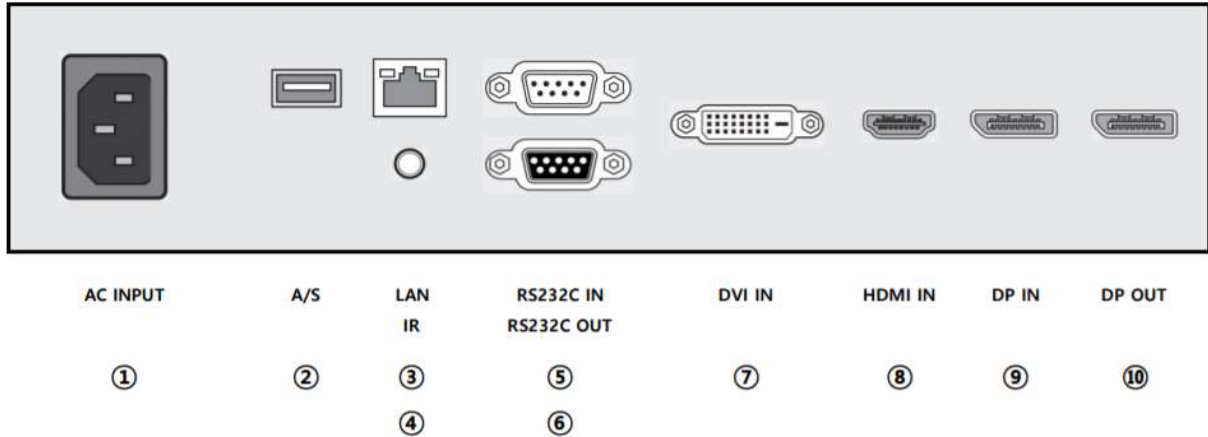
## 5. Specifications

### 5-1. Input/Output Specifications

Terminal Name	Terminal Spec	Signal spec	Terminal Type	Q'ty	Remark
DP IN	Standard Display Port	DP1.2 (HDCP1.4)	Female	1	
DP OUT	Standard Display Port	DP1.2	Female	1	Loop Out
HDMI IN	HDMI Type A	HDMI2.0 (HDCP1.4)	Female	1	
DVI IN	DVI-D 24Pin	Digital RGB (TMDS)	Female	1	DUAL-LINK
RS-232C IN	D-SUB 9PIN	± 15V	Female	1	
RS-232C OUT	D-SUB 9PIN	± 15V	Male	1	
LAN	RJ45	10/100 BASE-T	Female	1	
EXT-IR	Stereo Mini Jack (3.5Φ)	-	Female	1	
USB	USB Type-A	-	Female	1	For A/S

	SPEC. No.	OMS-GW790262/ OMS-GW790263	Revised. Date	2019.11.06
	SPEC.Name	Product Specification	Revised. No.	2.3
			PAGES	Page 7 of 16

## 5-2. Input / Output Terminal



- 1) AC IN: Connects with the supplied power cord.
- 2) A/S: Only for Firmware upgrade.
- 3) LAN: For control by Ethernet
- 4) IR: Connecting with IR receiver for remote control.
- 5) RS232C IN: Connecting with RS232C cable from external equipment such as a PC in order to control RS232C functions.
- 6) RS232C OUT: Connecting RS232C looping through with other monitors for whole video wall control.
- 7) DVI IN: To input Digital RGB signal from a computer or HDTV device having a digital RGB output.
- 8) HDMI IN: To input HDMI video signal.
- 9) DP IN: To input DisplayPort video signal.
- 10) DP OUT: For loop through video with other monitors for sharing video signal through DisplayPort.

	SPEC. No.	OMS-GW790262/ OMS-GW790263	Revised. Date	2019.11.06
	SPEC. Name	Product Specification	Revised. No.	2.3
			PAGES	Page 8 of 16

### 5-3. Supported resolutions

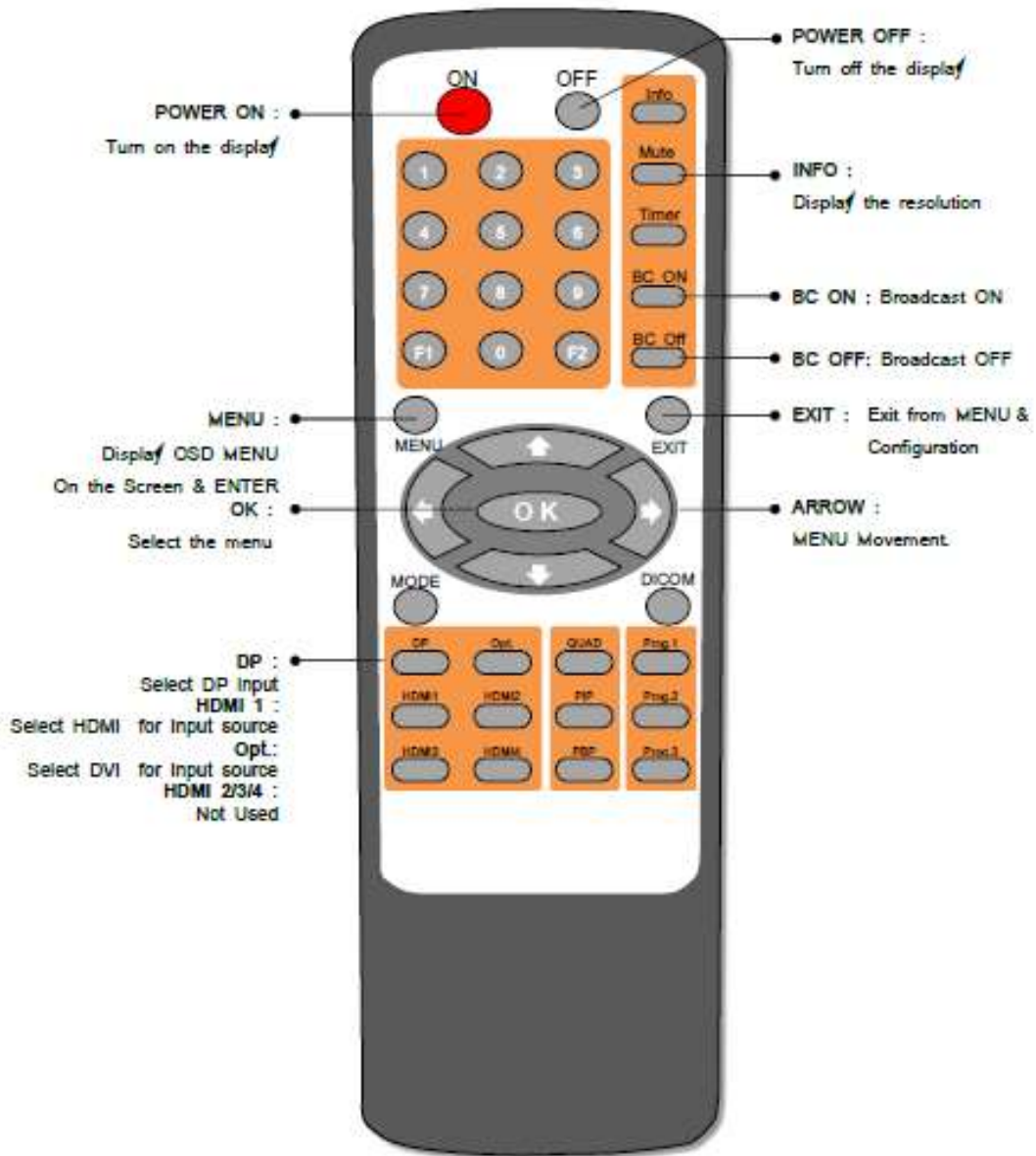
Resolution	Pixel Clock [Mhz]	Horizontal [Pixels]				Vertical [Lines]				Pol. (H/V)	Standard Type	Input
		Total	Addr. Width	Sync. Width	Back Porch	Total	Addr. Width	Sync. Width	Back Porch			
640*480*60	25.175	800	640	96	40	525	480	2	25	- / -	DMT	DVI /HDMI /DP
800*600*60	40.000	1054	800	128	88	628	600	4	23	- / -	DMT	
1024*576*60	46.500	1296	1024	96	136	599	576	5	15	- / -	DMT	
1280*768*60	79.500	1664	1280	128	192	798	768	7	20	+ / +	CVT	
1360*768*60	85.500	1792	1360	112	256	795	768	6	18	+ / +	CVT	
1280*1024*60	108.000	1688	1280	112	248	1066	1024	3	38	- / -	DMT	
1600*1200*60	162.000	2160	1600	192	304	1250	1200	3	46	+ / +	DMT	
480P	27.000	858	720	62	62	525	480	6	30	- / -	CEA-861	
576P	27.000	864	720	64	68	625	576	5	39	- / -	CEA-861	
720P24	59.400	3300	1280	40	220	750	720	5	20	+ / +	CEA-861	
720P25	74.250	3960	1280	40	220	750	720	5	20	+ / +	CEA-861	
720P30	74.250	3300	1280	40	220	750	720	5	20	+ / +	CEA-861	
720P50	74.250	1980	1280	40	220	750	720	5	20	+ / +	CEA-861	
720P60	74.250	1650	1280	40	220	750	720	5	20	+ / +	CEA-861	
1080P24	74.250	2750	1920	44	148	1125	1080	5	36	+ / +	CEA-861	
1080P25	74.250	2640	1920	44	148	1125	1080	5	36	+ / +	CEA-861	
1080P30	74.250	2200	1920	44	148	1125	1080	5	36	+ / +	CEA-861	
1080P50	148.500	2640	1920	44	148	1125	1080	5	36	+ / +	CEA-861	
1080P60	148.500	2200	1920	44	148	1125	1080	5	36	+ / +	CEA-861	
3840*2160*30	297.000	4400	3840	88	296	2250	2160	10	72	+ / +		
3840*2160*60	594.000	4400	3840	88	296	2250	2160	10	72	+ / +		


\* Vertical Frequency: Standards  $\pm 0.5$  Hz, Vertical Lines: Standards  $\pm 7$  Lines \* H [dot] / V [line]



	SPEC. No.	OMS-GW790262/ OMS-GW790263	Revised. Date	2019.11.06
	SPEC. Name	Product Specification	Revised. No.	2.3
			PAGES	Page 9 of 16

5-4. Remote Control



	SPEC. No.	OMS-GW790262/ OMS-GW790263	Revised. Date	2019.11.06
	SPEC. Name	Product Specification	Revised. No.	2.3
			PAGES	Page 10 of 16

## 6. Accessory

### 6-1. Accessory

- 1) CD with User's Manual: 1ea
- 2) Power Cabl: 1 ea
- 3) DP Cable: 1 ea
- 4) RS-232C Cable: 1 ea
- 5) Guide Pin: 4 ea
- 6) IR Receiver: 1 ea
- 7) Remote Controller: 1 ea
- 8) Battery(AAA): 2ea



Manual CD  
(Included OSW)



Guide Pin(4pcs)



Power Cable



DP Cable



RS-232C Cable



IR Receiver



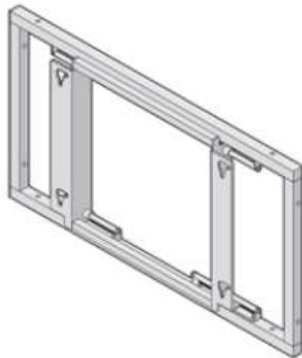
Remote Controller




Battery

### 6-2. Optional Accessory

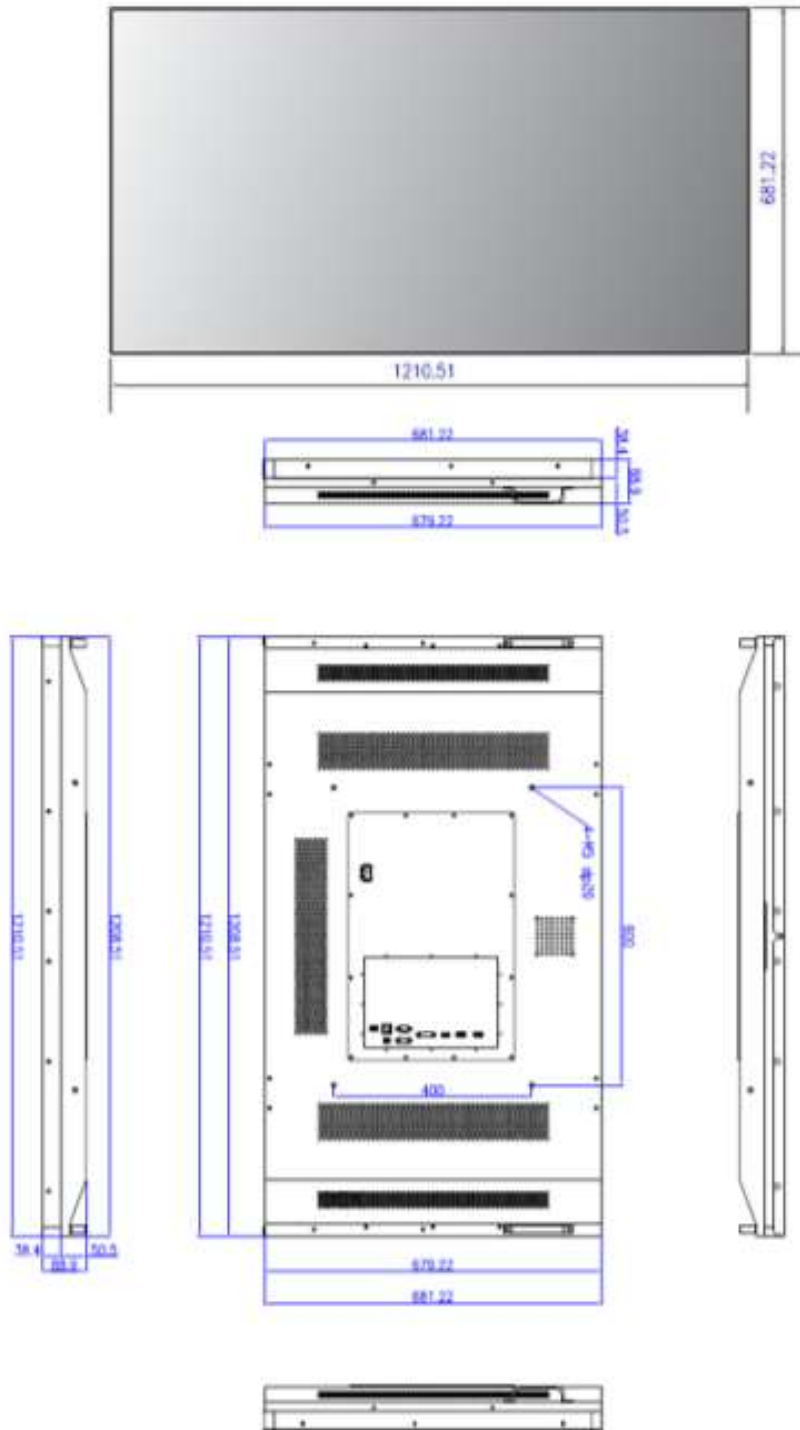
- 1) Main Frame




	SPEC. No.	OMS-GW790262/ OMS-GW790263	Revised. Date	2019.11.06
	SPEC. Name	Product Specification	Revised. No.	2.3
			PAGES	Page 11 of 16

## 7. Product Drawing & Dimension

7-1. OLMR-K5550 / OLMR-K5570 Drawing.



	SPEC. No.	OMS-GW790262/ OMS-GW790263	Revised. Date	2019.11.06
	SPEC. Name	Product Specification	Revised. No.	2.3
			PAGES	Page 12 of 16

## 8. Label

### 8-1. Box Label


(80mm x 25mm, Barcode Type : Code-128)



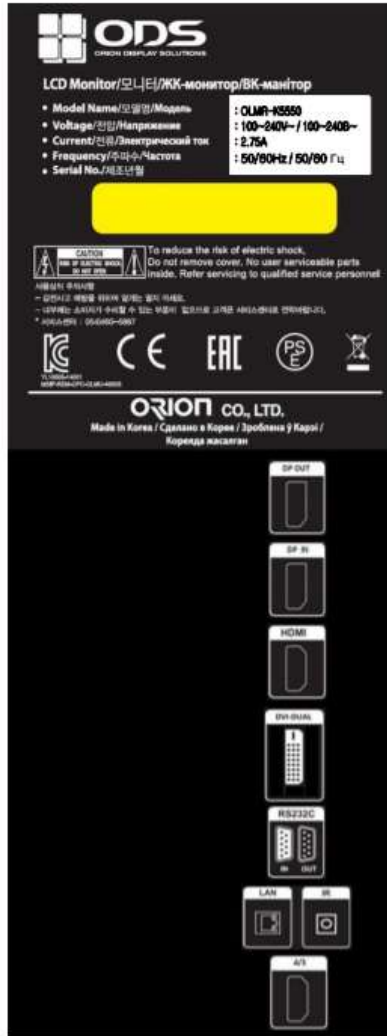
### 8-2. Serial Label


(45mm x 9mm, Barcode Type : Code-128)



	SPEC. No.	OMS-GW790262/ OMS-GW790263	Revised. Date	2019.11.06
	SPEC. Name	Product Specification	Revised. No.	2.3
			PAGES	Page 13 of 16


### 8-3 Product Label



	SPEC. No.	OMS-GW790262/ OMS-GW790263	Revised. Date	2019.11.06
	SPEC. Name	Product Specification	Revised. No.	2.3
			PAGES	Page 14 of 16

8-3 Belarus Energy Label



	SPEC. No.	OMS-GW790262/ OMS-GW790263	Revised. Date	2019.11.06
	SPEC.Name	Product Specification	Revised. No.	2.3
			PAGES	Page 15 of 16

## 9. Packing

### 9-1. Set Packing

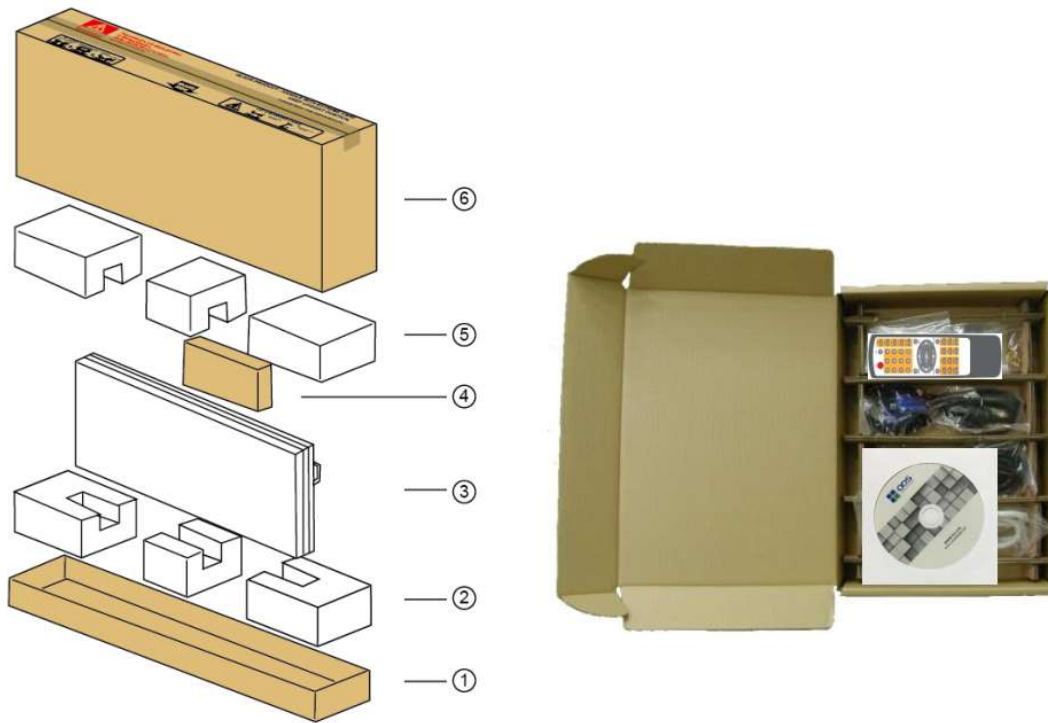
#### 1) Box Packing Specifications


- Number of Set in 1 package: 1 Set

Model name	OLMR-K5550/OLMR-K5570
Dimension (L x W x H mm)	1400 x 225 x 840
Weight (Kg)	31 ± 0.5

#### 2) Box Packing Assembly Drawing

No.	Item
1	Carton Box Bottom
2	Bottom Pad Left, Bottom Pad Middle, Bottom Pad Right
3	MLCD Set
4	Accessory Box
5	Top Pad Left, Top Pad Middle, Top Pad Right
6	Carton Box Top



	SPEC. No.	OMS-GW790262/ OMS-GW790263	Revised. Date	2019.11.06
	SPEC.Name	Product Specification	Revised. No.	2.3
			PAGES	Page 16 of 16

## 9-2. Panel Packing

### 1) Pallet Packing Specifications

ITEM	FCL	LCL or Air
	OLMR-K5550/ OLMR-K5570	OLMR-K5550/ OLMR-K5570
Number of Set in 1 package	4 boxes (4 monitor)	
Dimension (L x W x H mm)	1,460 x 1,130 x 950	1460 x 1130 x 1000
Weight (Kg)	136.7 ± 1	145.6 ± 2

### 2) Pallet Packing Assembly Drawing

- FCL Packing



- The loading direction of MLCD on the pallet



Glass Side Mark

- LCL or Air Packing

