

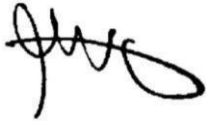
	SPEC. No.	OMS-GW790291/ OMS-GW790280/ OMS-GW790282	Revised. Date	2021.02.23
	SPEC.Name	Product Specification	Revised. No.	2.0
			PAGES	Page 1 of 16

Model Name: OLMU-K5552
OLME-K5552
OLME-K5572

ISSU. DEPT	PREPARED BY	REVIEWED BY	APPROVED BY
R&D Center	Yang-Seok, Lee	SU-SAM, CHOI	Han-Joo, Bae
			
	2021.02.23	2021.02.23	2021.02.23

ORION CO., LTD.

HEAD OFFICE & FACTORY: 257, GONGDAN-DONG, GUMI-SHI, GYUNG-BUK, KOREA
 SEOUL OFFICE: 4F, ILSHIN BLDG., 15-15, YEQUIDO-DONG, YOUNGDUNGPO-GU, SEOUL, KOREA
 TEL +82-2-6678-8541 E-MAIL CONTACT@ORIONDISPLAY.NET

	SPEC. No.	OMS-GW790291/ OMS-GW790280/ OMS-GW790282	Revised. Date	2021.02.23
	SPEC.Name	Product Specification	Revised. No.	2.0
			PAGES	Page 2 of 16

© Revisions History

Revision No.	Revised Date	Page	Revised Description
1.0	2020. 01. 28	All	Establishment
2.0	2021. 02. 23	5	General information

ORION CO., LTD.

HEAD OFFICE & FACTORY: 257, GONGDAN-DONG, GUMI-SHI, GYUNG-BUK, KOREA
 SEOUL OFFICE: 4F, ILSHIN BLDG., 15-15, YEOUIDO-DONG, YOUNGDUNGPO-GU, SEOUL, KOREA
 TEL +82-2-6678-8541 E-MAIL CONTACT@ORIONDISPLAY.NET

	SPEC. No.	OMS-GW790291/ OMS-GW790280/ OMS-GW790282	Revised. Date	2021.02.23
	SPEC.Name	Product Specification	Revised. No.	2.0
			PAGES	Page 3 of 16

CONTENTS

1. Application	4
2. Summary	4
3. Environmental Conditions	4
4. General Information	5
5. Specifications	7
5-1. Input/Output Specifications	7
5-2. Input / Output Terminal	7
5-3. Supported resolutions	8
5-4. Remote control	9
6. Accessory	10
6-1. Accessory	10
6-2. Optional Accessory	10
7. Product Drawing & Dimension	11
7-1. OLMU-K5552 Drawing	11
7-2. OLME-K5552/OLME-K5572 Drawing	12
8. Label	13
8-1. Box Label	13
8-2. Serial Label	13
8-3 Product Label	14
9. Packing	15
9-1. Set Packing	15
9-2. Pallet Packing	16

ORION CO., LTD.

HEAD OFFICE & FACTORY: 257, GONGDAN-DONG, GUMI-SHI, GYUNG-BUK, KOREA
 SEOUL OFFICE: 4F, ILSHIN BLDG., 15-15, YEOUIDO-DONG, YOUNGDUNGPO-GU, SEOUL, KOREA
 TEL +82-2-6678-8541 E-MAIL CONTACT@ORIONDISPLAY.NET

	SPEC. No.	OMS-GW790291/ OMS-GW790280/ OMS-GW790282	Revised. Date	2021.02.23
	SPEC.Name	Product Specification	Revised. No.	2.0
			PAGES	Page 4 of 16

1. Application

This specification applies to Multi-LCD Sets OLMU-K5552/OLME-K5552/OLME-K5572 with 55” Ultra Narrow Bezel LCD PANEL or Extreme Narrow Bezel LCD PANEL.

2. Summary

OLMx-K Series are infinitely expandable LCD monitor system ready for 4K UHD (3840* 2160P@60Hz) video signal such as DisplayPort (DP 1.2) & HDMI (HDMI 2.0) along with DVI. Also provides various means of control such as RS-232C, LAN and IR.

- ✓ Ultra/Extreme Narrow splicing bezel
- ✓ No delay and motion trail of graphics, natural and smooth display.
- ✓ Support up to 15x15 splicing units
- ✓ The screen has a 24/7 non-stop operating time
- ✓ Video Wall Processor built in
- ✓ Remote Display Management
- ✓ Landscape and Portrait, all metal chassis
- ✓ HDMI In, DVI In, DP In/Out
- ✓ RS-232C In/Out, Network port (RJ-45) for PC / sever control
- ✓ PIP / PBP / QUAD Displays
- ✓ Auto power recovery, auto pixel shift, standard VESA mounting hole patterns

3. Environmental Conditions

Item	Operating Condition		Storage Condition	
	Maximum	Recommend	Maximum	Recommend
Temperature	0 ~ 50 °C	5 ~ 35 °C	-20 ~ 60 °C	0 ~ 40 °C
Humidity	10 ~ 90 %RH	35 ~ 75 %RH	0 ~ 90 %RH	10 ~ 90 %RH

* If the condition exceeds maximum ratings, it can cause malfunction or unrecoverable damage to the device

ORION CO., LTD.

HEAD OFFICE & FACTORY: 257, GONGDAN-DONG, GUMI-SHI, GYUNG-BUK, KOREA
 SEOUL OFFICE: 4F, ILSHIN BLDG., 15-15, YEQUIDO-DONG, YOUNGDUNGPO-GU, SEOUL, KOREA
 TEL +82-2-6678-8541 E-MAIL CONTACT@ORIONDISPLAY.NET

	SPEC. No.	OMS-GW790291/ OMS-GW790280/ OMS-GW790282	Revised. Date	2021.02.23
	SPEC.Name	Product Specification	Revised. No.	2.0
			PAGES	Page 5 of 16

4. General Information

PRODUCT NAME		55" UNB MLCD	55" ENB MLCD	
MODEL NAME		OLMU-K5552	OLME-K5552	OLME-K5572
PANEL TYPE		IPS		
LCD PANEL	Diagonal Screen Size	55 inch (1387.80 mm)		
	Module Dimension (H x V mm)	1213.4 x 684.20	1211.4 x 682.2	
	Active Display Area	1209.66 x 680.46 mm		
	Number of Pixel	1920 x 1080 (16 :9)		
	Pixel pitch (mm)	0.63 x 0.63		
	Luminance of White (cd/m ²)	500	500	700
	Contrast ratio (Typ.)	1000 : 1 (Dynamic CR 100,000:1)		
	Backlight Type	DIRECT LED		
	Response Time (G to G) (Typ.)	8 ms		
	Viewing Angle	Viewing angle free (R/L 178° (Min), U/D 178° (Min))		
	Display Colors	1.07 Billion (10bit)		
	Color gamut	72%		
	Surface Treatment	Hard coating (3H), Anti-Glare (Haze 44%)	Hard coating (2H), Anti-Glare (Haze 28%)	
	Life time (Hrs, Typ.)	60,000		
TERMINAL	Video	INPUT: x 1 DP, x 2 HDMI, x 1 DVI; OUTPUT: x1 DP		
	Control	INPUT: x1 RS-232, x1 LAN, x1 EXT-IR, x1 USB OUTPUT: x1 RS-232		
DAISY CHAIN	Loop out Port	DP (Display Port)		
	Source	DP, HDMI, DVI		
INPUT SIGNAL	Support Resolution	480p, 576p, 720p, 1080p, UHD (only HDMI, DP)		
	Frequency	30 ~ 140 KHz (HOR), 29 ~ 76 Hz (VER)		
	HDCP	READY		
FEATURES	Temperature Sensor	Yes		
	De-Interlace	Yes		
	Noise Reduction	Yes		
	Splicing up to 15x15	Yes		
	Auto Fan Control System	Yes		
	Auto Pixel Shift	Yes		
	Auto Source Switching	Yes		
	Auto Sleep and Wake up	Yes		
	Auto Power Recovery	Yes		
	Color Temperature Adjust	Yes		
Multi Language	English, Spanish, French, German...			
POWER SUPPLY		AC100V ~ 240V±10% (50/60Hz)		
POWER CONSUMPTION	Stand-by (Watt)	≤ 0.5		
	Typical (Watt)	220	220	270
	Maximum (Watt)	250	250	310
SEAM GAP (Typ. mm)		3.5 (Bezel to Bezel)	1.74 (Bezel to Bezel)	
DIMENSION (W x H x D mm)		1213.4 x 684.2 x 95.2	1211.5 x 682.3 x 88.6	
MOUNTING (H x V. mm)		600 x 400		
WEIGHT (kg)		27.5±0.5	25.3±0.5	
INSTALLATION ORIENTATION		Portrait / Landscape		
OPERATION HOUR		24 / 7		

* Product design and specification can be changed for quality improvement without prior notice

ORION CO., LTD.

HEAD OFFICE & FACTORY: 257, GONGDAN-DONG, GUMI-SHI, GYUNG-BUK, KOREA
 SEOUL OFFICE: 4F, ILSHIN BLDG., 15-15, YEJU-DONG, YONGDUNGPO-GU, SEOUL, KOREA
 TEL +82-2-6678-8541 E-MAIL CONTACT@ORIONDISPLAY.NET

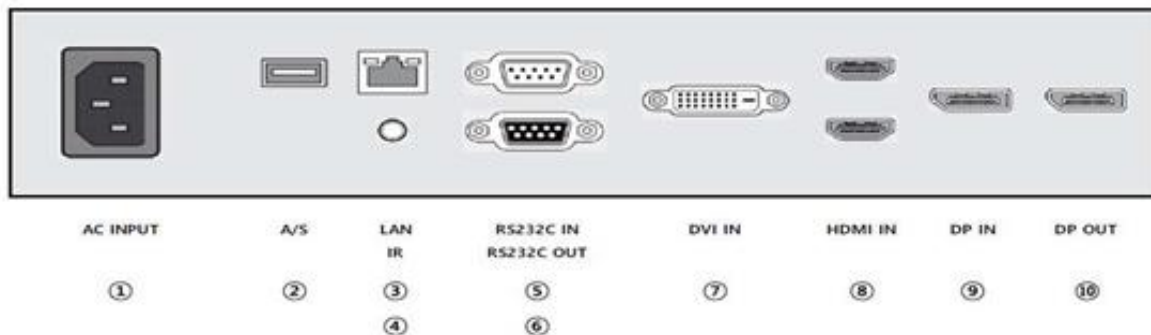
	SPEC. No.	OMS-GW790291/ OMS-GW790280/ OMS-GW790282	Revised. Date	2021.02.23
	SPEC.Name	Product Specification	Revised. No.	2.0
			PAGES	Page 6 of 16

5. Specifications

5-1. Input/Output Specifications

Terminal Name	Terminal Spec	Signal spec	Terminal Type	Q'ty	Remark
DP IN	Standard Display Port	DP1.2 (HDCP1.4)	Female	1	
DP OUT	Standard Display Port	DP1.2	Female	1	Loop Out
HDMI IN	HDMI Type A	HDMI2.0 (HDCP1.4)	Female	2	
DVI IN	DVI-D 24Pin	Digital RGB (TMDS)	Female	1	DUAL-LINK
RS-232C IN	D-SUB 9PIN	± 15V	Female	1	
RS-232C OUT	D-SUB 9PIN	± 15V	Male	1	
LAN	RJ45	10/100 BASE-T	Female	1	
EXT-IR	Stereo Mini Jack (3.5Φ)	-	Female	1	
USB	USB Type-A	-	Female	1	For A/S

5-2. Input / Output Terminal



- 1) AC IN: Connects with the supplied power cord.
- 2) A/S: Only for Firmware upgrade.
- 3) LAN: For control by Ethernet
- 4) IR: Connecting with IR receiver for remote control.
- 5) RS232C IN: Connecting with RS232C cable from external equipment such as a PC in order to control RS232C functions.
- 6) RS232C OUT: Connecting RS232C looping through with other monitors for whole video wall control.
- 7) DVI IN: To input Digital RGB signal from a computer or HDTV device having a digital RGB output.
- 8) HDMI IN: To input HDMI video signal.
- 9) DP IN: To input DisplayPort video signal.
- 10) DP OUT: For loop through video with other monitors for sharing video signal through DisplayPort.

ORION CO., LTD.

HEAD OFFICE & FACTORY: 257, GONGDAN-DONG, GUMI-SHI, GYUNG-BUK, KOREA
 SEOUL OFFICE: 4F, ILSHIN BLDG., 15-15, YEJU-DO-DONG, YONGDUNGPO-GU, SEOUL, KOREA
 TEL +82-2-6678-8541 E-MAIL CONTACT@ORIONDISPLAY.NET

	SPEC. No.	OMS-GW790291/ OMS-GW790280/ OMS-GW790282	Revised. Date	2021.02.23
	SPEC.Name	Product Specification	Revised. No.	2.0
			PAGES	Page 7 of 16

5-3. Supported resolutions

Vertical Frequency: Standards ± 0.5 Hz, Vertical Lines : Standards ± 7 Lines * H [dot] / V [line]

Resolution	Pixel Clock [Mhz]	Horizontal [Pixels]				Vertical [Lines]				Pol. (H/V)	Standard Type	Input
		Total	Addr. Width	Sync. Width	Back Porch	Total	Addr. Width	Sync. Width	Back Porch			
640*480*60	25.175	800	640	96	40	525	480	2	25	- / -	DMT	DVI /HDMI /DP
800*600*60	40.000	1054	800	128	88	628	600	4	23	- / -	DMT	
1024*576*60	46.500	1296	1024	96	136	599	576	5	15	- / -	DMT	
1280*768*60	79.500	1664	1280	128	192	798	768	7	20	+ / +	CVT	
1360*768*60	85.500	1792	1360	112	256	795	768	6	18	+ / +	CVT	
1280*1024*60	108.000	1688	1280	112	248	1066	1024	3	38	- / -	DMT	
1600*1200*60	162.000	2160	1600	192	304	1250	1200	3	46	+ / +	DMT	
480P	27.000	858	720	62	62	525	480	6	30	- / -	CEA-861	
576P	27.000	864	720	64	68	625	576	5	39	- / -	CEA-861	
720P24	59.400	3300	1280	40	220	750	720	5	20	+ / +	CEA-861	
720P25	74.250	3960	1280	40	220	750	720	5	20	+ / +	CEA-861	
720P30	74.250	3300	1280	40	220	750	720	5	20	+ / +	CEA-861	
720P50	74.250	1980	1280	40	220	750	720	5	20	+ / +	CEA-861	
720P60	74.250	1650	1280	40	220	750	720	5	20	+ / +	CEA-861	
1080P24	74.250	2750	1920	44	148	1125	1080	5	36	+ / +	CEA-861	
1080P25	74.250	2640	1920	44	148	1125	1080	5	36	+ / +	CEA-861	
1080P30	74.250	2200	1920	44	148	1125	1080	5	36	+ / +	CEA-861	
1080P50	148.500	2640	1920	44	148	1125	1080	5	36	+ / +	CEA-861	
1080P60	148.500	2200	1920	44	148	1125	1080	5	36	+ / +	CEA-861	
3840*2160*30	297.000	4400	3840	88	296	2250	2160	10	72	+ / +		DP/ HDMI
3840*2160*60	594.000	4400	3840	88	296	2250	2160	10	72	+ / +		

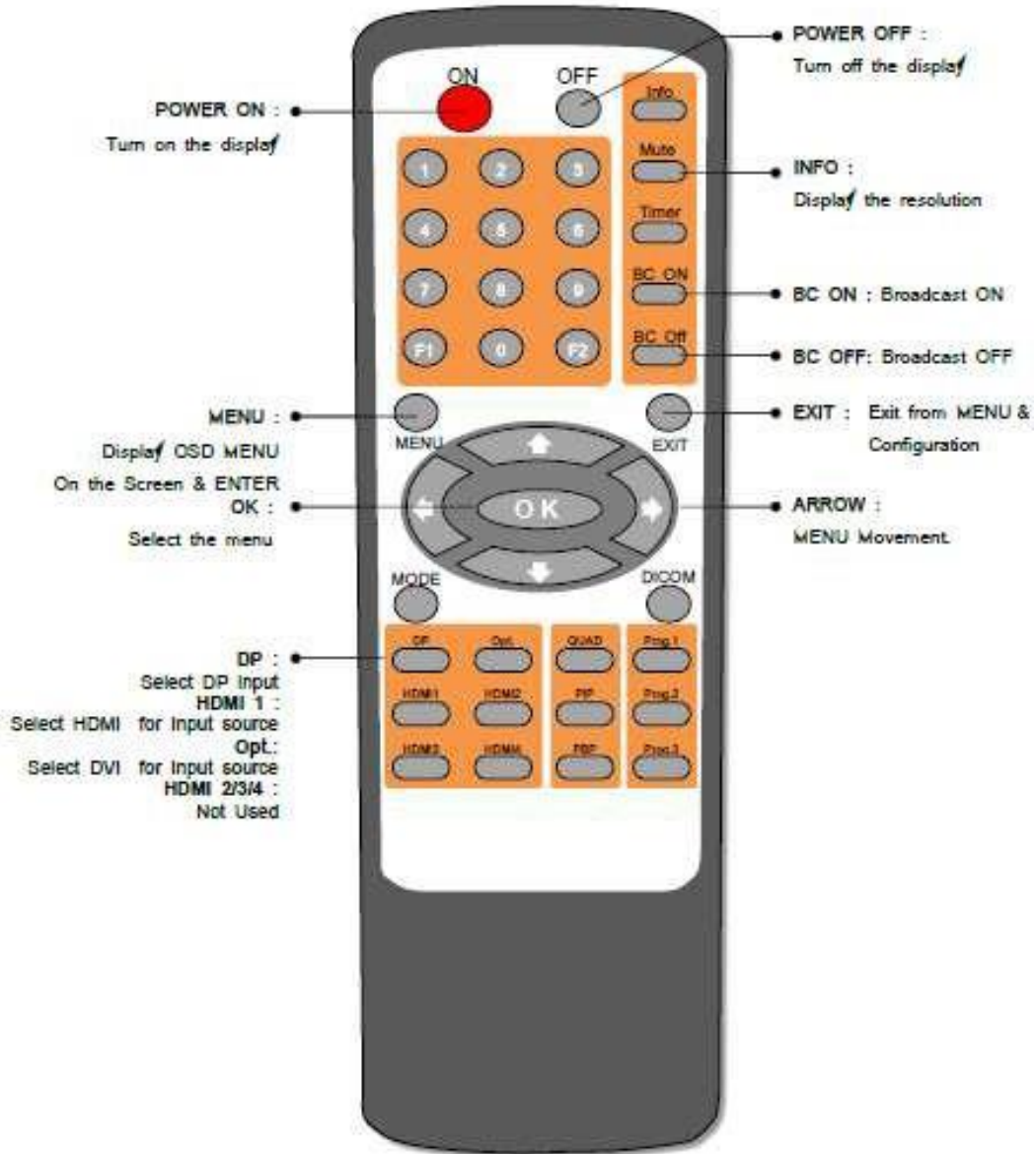
※ Vertical Frequency : Standard ± 0.5 Hz, Vertical Lines : Standards ± 7 Lines * H [dot] / V [line]

ORION CO., LTD.

HEAD OFFICE & FACTORY: 257, GONGDAN-DONG, GUMI-SHI, GYUNG-BUK, KOREA
 SEOUL OFFICE: 4F, ILSHIN BLDG., 15-15, YEQUIDO-DONG, YOUNGDUNGPO-GU, SEOUL, KOREA
 TEL +82-2-6678-8541 E-MAIL CONTACT@ORIONDISPLAY.NET

	SPEC. No.	OMS-GW790291/ OMS-GW790280/ OMS-GW790282	Revised. Date	2021.02.23
	SPEC.Name	Product Specification	Revised. No.	2.0
			PAGES	Page 8 of 16

5-4. Remote Control



ORION CO., LTD.

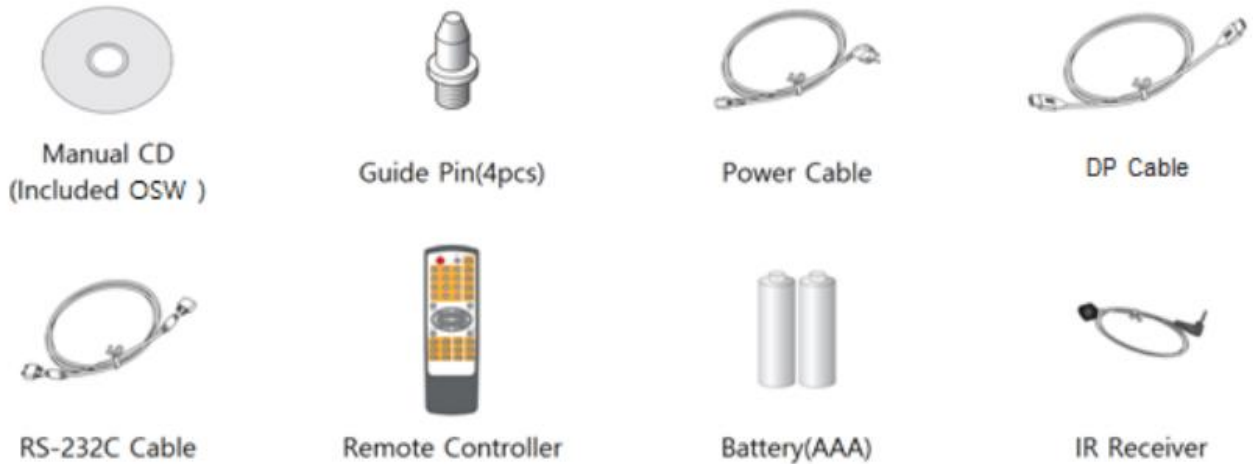
HEAD OFFICE & FACTORY: 257, GONGDAN-DONG, GUMI-SHI, GYUNG-BUK, KOREA
 SEOUL OFFICE: 4F, ILSHIN BLDG., 15-15, YEUIDO-DONG, YOUNGDUNGPO-GU, SEOUL, KOREA
 TEL +82-2-6678-8541 E-MAIL CONTACT@ORIONDISPLAY.NET

	SPEC. No.	OMS-GW790291/ OMS-GW790280/ OMS-GW790282	Revised. Date	2021.02.23
	SPEC.Name	Product Specification	Revised. No.	2.0
			PAGES	Page 9 of 16

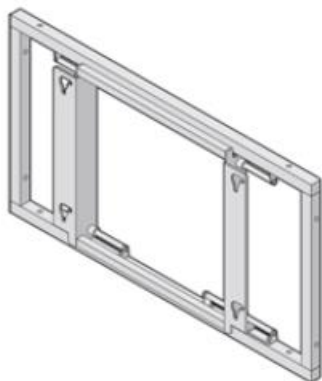
6. Accessory

6-1. Accessory

- 1) CD with User's Manual: 1ea
- 2) Power Cable: 1 ea
- 3) DP Cable: 1 ea
- 4) RS-232C Cable: 1 ea
- 5) Guide Pin: 4 ea
- 6) IR Receiver: 1 ea
- 7) Remote Controller: 1 ea
- 8) Battery(AAA): 2ea



6-2. Optional Accessory



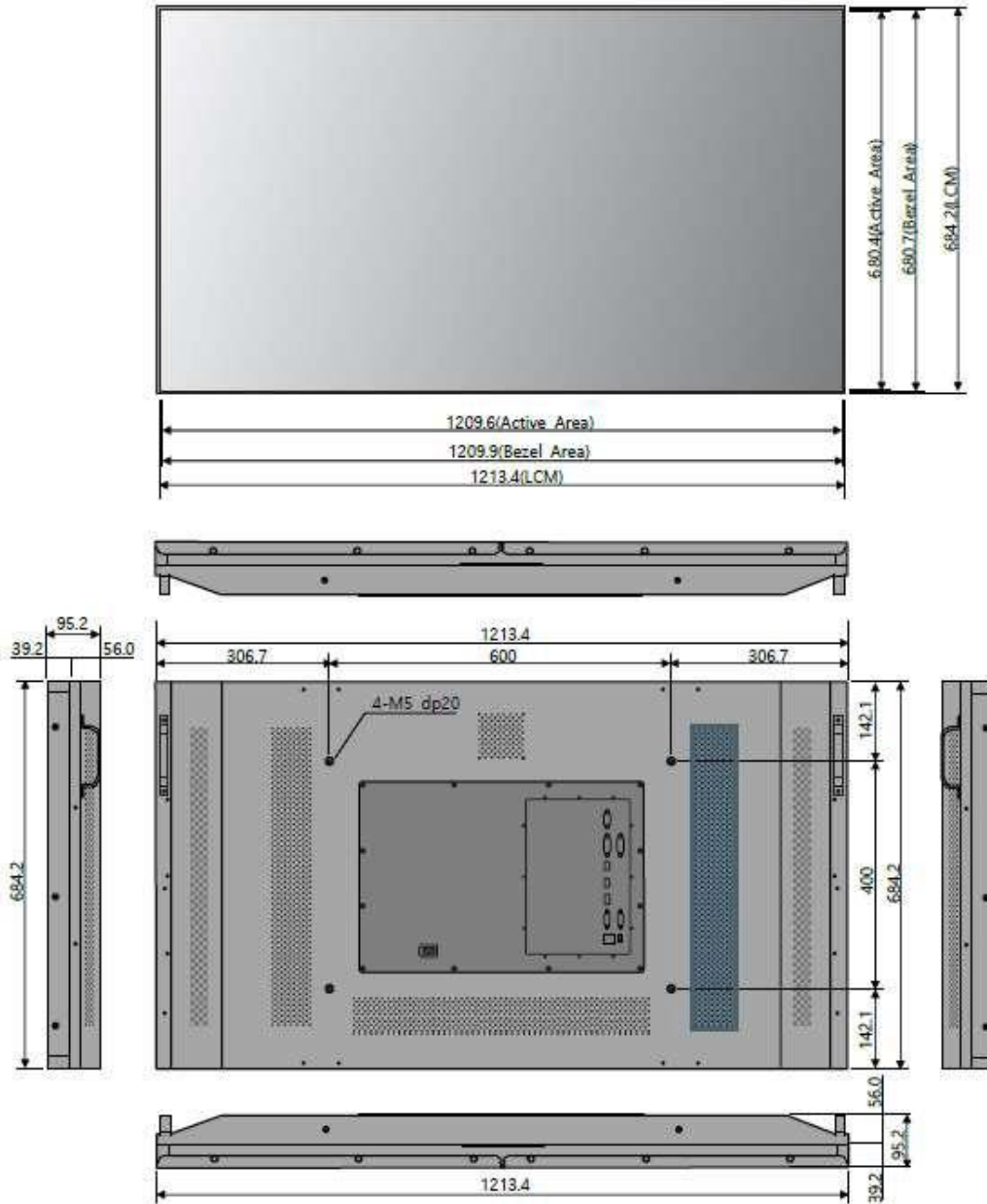
ORION CO., LTD.

HEAD OFFICE & FACTORY: 257, GONGDAN-DONG, GUMI-SHI, GYUNG-BUK, KOREA
 SEOUL OFFICE: 4F, ILSHIN BLDG., 15-15, YEOUIDO-DONG, YOUNGDUNGPO-GU, SEOUL, KOREA
 TEL +82-2-6678-8541 E-MAIL CONTACT@ORIONDISPLAY.NET

	SPEC. No.	OMS-GW790291/ OMS-GW790280/ OMS-GW790282	Revised. Date	2021.02.23
	SPEC.Name	Product Specification	Revised. No.	2.0
			PAGES	Page 10 of 16

7. Product Drawing & Dimension

7-1. OLMU-K5552 Drawing.

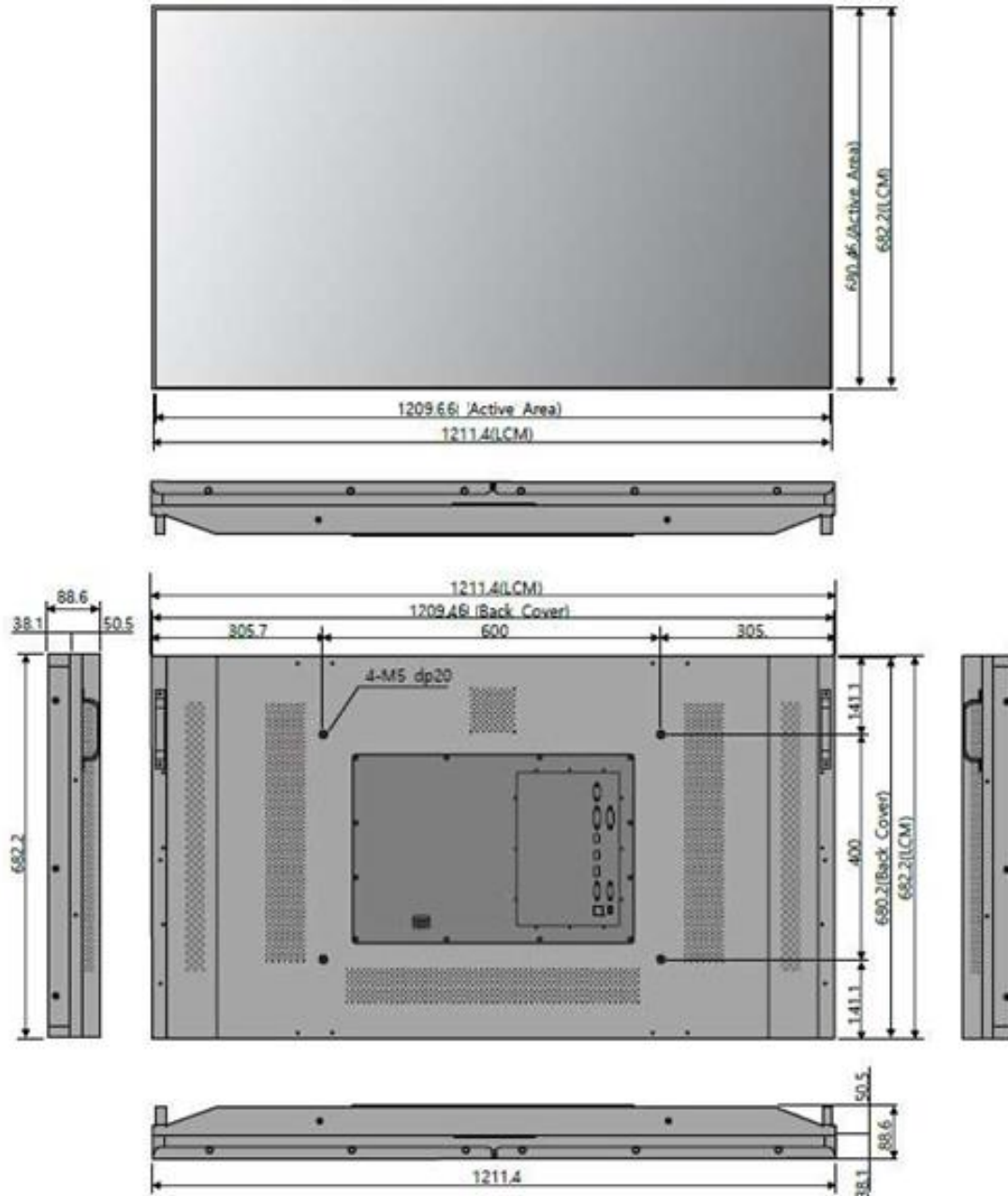


ORION CO., LTD.

HEAD OFFICE & FACTORY: 257, GONGDAN-DONG, GUMI-SHI, GYUNG-BUK, KOREA
 SEOUL OFFICE: 4F, ILSHIN BLDG., 15-15, YEUIDO-DONG, YOUNGDUNGPO-GU, SEOUL, KOREA
 TEL +82-2-6678-8541 E-MAIL CONTACT@ORIONDISPLAY.NET

	SPEC. No.	OMS-GW790291/ OMS-GW790280/ OMS-GW790282	Revised. Date	2021.02.23
	SPEC.Name	Product Specification	Revised. No.	2.0
			PAGES	Page 11 of 16

7-2. OLME-K5552/OLME-K5572 Drawing.



ORION CO., LTD.

HEAD OFFICE & FACTORY: 257, GONGDAN-DONG, GUMI-SHI, GYUNG-BUK, KOREA
 SEOUL OFFICE: 4F, ILSHIN BLDG., 15-15, YEQUIDO-DONG, YOUNGDUNGPO-GU, SEOUL, KOREA
 TEL +82-2-6678-8541 E-MAIL CONTACT@ORIONDISPLAY.NET

	SPEC. No.	OMS-GW790291/ OMS-GW790280/ OMS-GW790282	Revised. Date	2021.02.23
	SPEC.Name	Product Specification	Revised. No.	2.0
			PAGES	Page 12 of 16

8. Label

8-1. Box Label

(80mm x 25mm, Barcode Type : Code-128)



8-2. Serial Label

(45mm x 9mm, Barcode Type : Code-128)

► Serial Number

Model Name	S/N	Model Name	S/N
OLMU-K5552	LMUK52A1G0H00001	-	-
OLME-K5552	LMEK52A1G0H00001	OLME-K5572	LMEK57A1G0H00001
OLMR-K5552	LMRK52A1G0H00001	OLMR-K5572	LMRK57A1G0H00001

► Drawing



ORION CO., LTD.

HEAD OFFICE & FACTORY: 257, GONGDAN-DONG, GUMI-SHI, GYUNG-BUK, KOREA
 SEOUL OFFICE: 4F, ILSHIN BLDG., 15-15, YEUIDO-DONG, YOUNGDUNGPO-GU, SEOUL, KOREA
 TEL +82-2-6678-8541 E-MAIL CONTACT@ORIONDISPLAY.NET

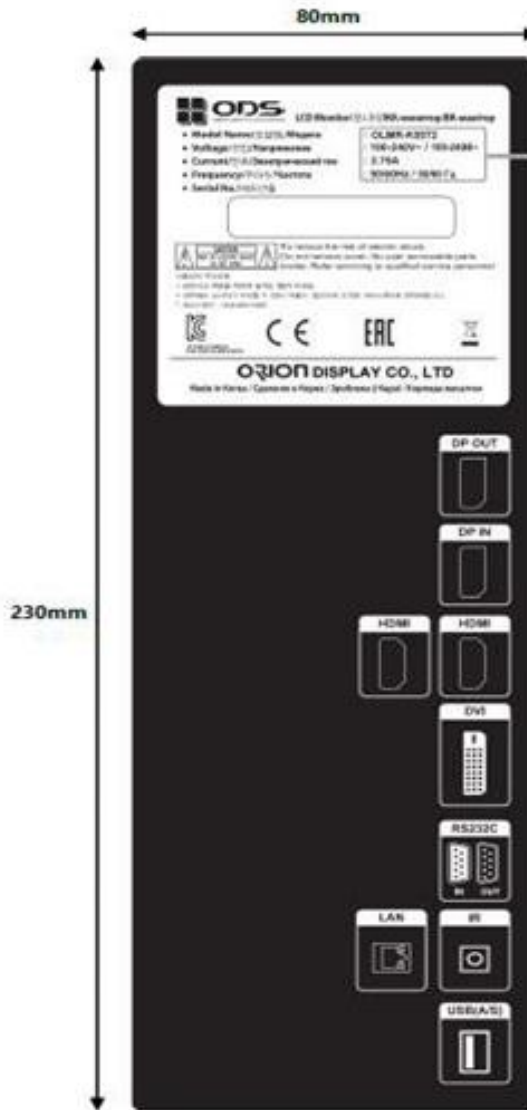
	SPEC. No.	OMS-GW790291/ OMS-GW790280/ OMS-GW790282	Revised. Date	2021.02.23
	SPEC.Name	Product Specification	Revised. No.	2.0
			PAGES	Page 13 of 16

8-3 Product Label

▶ Label Information

Model Name	OLMU-K5552	OLME-K5552	OLME-K5572	OLMR-K5552	OLME-K5572
Voltage	100-240V~ / 100-240B~				
Current	2.75A				
Frequency	50/60Hz / 50/60 Гц				

▶ Drawing



ORION CO., LTD.

HEAD OFFICE & FACTORY: 257, GONGDAN-DONG, GUMI-SHI, GYUNG-BUK, KOREA
 SEOUL OFFICE: 4F, ILSHIN BLDG., 15-15, YEOUIDO-DONG, YOUNGDUNGPO-GU, SEOUL, KOREA
 TEL +82-2-6678-8541 E-MAIL CONTACT@ORIONDISPLAY.NET

	SPEC. No.	OMS-GW790291/ OMS-GW790280/ OMS-GW790282	Revised. Date	2021.02.23
	SPEC.Name	Product Specification	Revised. No.	2.0
			PAGES	Page 14 of 16

9. Packing

9-1. Set Packing

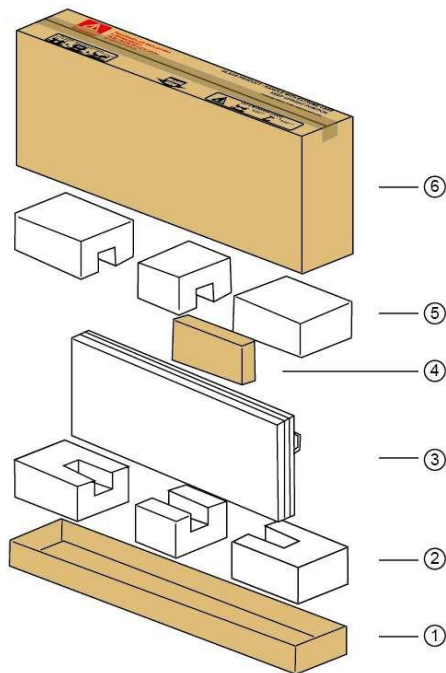
1) Box Packing Specifications

- Number of Set in 1 package : 1 Set

Model name	OLMU-K5552	OLME-K5552/OLME-K5572
Dimension (L x W x H mm)	1400 x 225 x 840	
Weight (Kg)	34 ± 0.5	32 ± 0.5

2) Box Packing Assembly Drawing

No.	Item
1	Carton Box Bottom
2	Bottom Pad Left, Bottom Pad Middle, Bottom Pad Right
3	MLCD Set
4	Accessory Box
5	Top Pad Left, Top Pad Middle, Top Pad Right
6	Carton Box Top



ORION CO., LTD.

HEAD OFFICE & FACTORY: 257, GONGDAN-DONG, GUMI-SHI, GYUNG-BUK, KOREA
 SEOUL OFFICE: 4F, ILSHIN BLDG., 15-15, YEQUIDO-DONG, YOUNGDUNGPO-GU, SEOUL, KOREA
 TEL +82-2-6678-8541 E-MAIL CONTACT@ORIONDISPLAY.NET

	SPEC. No.	OMS-GW790291/ OMS-GW790280/ OMS-GW790282	Revised. Date	2021.02.23
	SPEC.Name	Product Specification	Revised. No.	2.0
			PAGES	Page 15 of 16

- Accessory inside accessory box
 - a. Guide Pin
 - b. RS-232C Cable
 - c. Power Cord
 - d. DVI Cable
 - e. Manual CD (included MSCS)



9-2. Panel Packing

1) Pallet Packing Specifications

ITEM	FCL		LCL or Air	
	OLMU-K5552	OLME-K5552 OLME-K5572	OLMU-K5552	OLME-K5552 OLME-K5572
Number of Set in 1 package	4 boxes(4 monitor)			
Dimension (L x W x H mm)	1460 x 1130 x 950		1460 x 1130 x 1000	
Weight(Kg)	148.7 ± 1		157.6 ± 2	

ORION CO., LTD.

HEAD OFFICE & FACTORY: 257, GONGDAN-DONG, GUMI-SHI, GYUNG-BUK, KOREA
 SEOUL OFFICE: 4F, ILSHIN BLDG., 15-15, YEOUIDO-DONG, YOUNGDUNGPO-GU, SEOUL, KOREA
 TEL +82-2-6678-8541 E-MAIL CONTACT@ORIONDISPLAY.NET

	SPEC. No.	OMS-GW790291/ OMS-GW790280/ OMS-GW790282	Revised. Date	2021.02.23
	SPEC.Name	Product Specification	Revised. No.	2.0
			PAGES	Page 16 of 16

2) Pallet Packing Assembly Drawing

- FCL Packing



- The loading direction of MLCD on the pallet



Glass Side Mark

- LCL or Air Packing



ORION CO., LTD.

HEAD OFFICE & FACTORY: 257, GONGDAN-DONG, GUMI-SHI, GYUNG-BUK, KOREA
 SEOUL OFFICE: 4F, ILSHIN BLDG., 15-15, YEOUIDO-DONG, YOUNGDUNGPO-GU, SEOUL, KOREA
 TEL +82-2-6678-8541 E-MAIL CONTACT@ORIONDISPLAY.NET